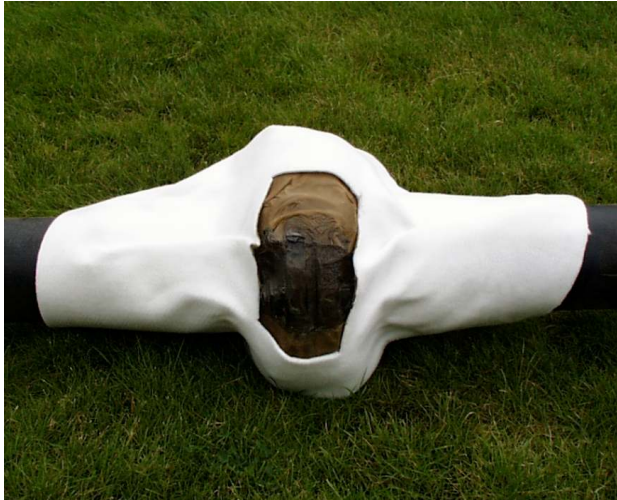




## Product Information



### Special Advantages

- highly conformable
- easy to apply
- permanently plastic
- proven corrosion prevention technology

# Passive Corrosion Prevention for Flanges and Valves

System solution for the corrosion protective coating of irregularly shaped pipeline installations.

## Description

Irregularly shaped pipeline installations like flanges or valves are reliably protected against corrosion with smooth and highly conformable petrolatum compounds. Potential hollows are to be filled with petrolatum mastic prior to tape wrapping. The use of petrolatum products is especially advantageous when flange connections have to be reopened later. The DENSOPLAST coating system complies with stress-class A-30 according to DIN 30672 and EN 12068. As mechanical

protection buried installations are additionally coated with DENSOLEN-Rockshield DRM-PP 500 Plus according to DVGW leaflet G 463.

### **DENSOPLAST-Compound**

Permanently plastic, specially modified petrolatum mastic for filling of potential hollows and for compensation of uneven surfaces.

### **DENSOPLAST-Tape.**

Cold applied petrolatum tape with cover film according to DIN 30672 for the corrosion protective coating of buried or immersed pipes and

pipeline installations with irregular geometry. (e.g. valves, flanges, T-pieces) and other metal constructions with operating temperatures up to +30°C.

DIN-DVGW Reg.-No.

NG-5180AO0703

### **DENSOLEN-Rockshield DRM-PP 500 Plus**

Rot-proof, heat resistant and conformable polypropylene fibre fleece material for the additional mechanical protection of corrosion protective coatings on buried pipes and pipeline installations.

# Properties

## DENSOPLAST-Compound

Property	Typical value
Colour	brown
Consistency	permanently plastic
Composition	Vaseline, mineral fillers, chemical fibres
Dripping point (DIN 51801)	> 70°C
Operating temperature	-10 up to +50°C
Application temperature	+4 up to +30°C
Consistency at 4°C	plastic, still mouldable, non brittle
Consistency at 23°C	plastic, easy mouldable

## DENSOLEN-Rockshield DRM-PP 500 Plus

Property	Unit	Typical value
Weight	g / m <sup>2</sup>	500
Thickness (at 2 kPa load)	mm	4,0
Tear elongation lengthwise / transverse	%	60 / 55
Tear resistance lengthwise / transverse	N / 10mm	160 / 300
Plunger puncture force	kN	> 4
Colour		white
Operating temperature	°C	-50 up to +100
Specific electrical insulation resistance	Ohm · m <sup>2</sup>	< 1
Resistant to	diluted acids, lyes and salt solutions; hydrocarbons, soil bacteria	

## DENSOPLAST-Tape

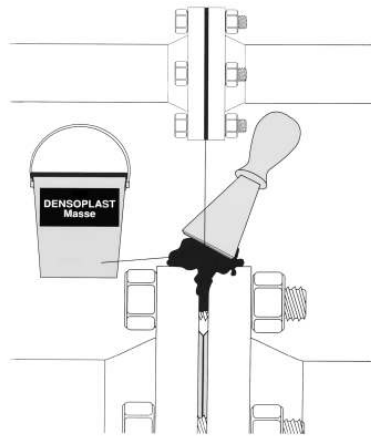
Property	Typical value
Thickness	app. 1,1 mm
Thickness cover film	40 µm
Carrier	chemical fibre fleece
<i>Application temperature</i>	
ambient	-5 up to +40°C
surface	-5 up to +40°C
tape	-5 up to +30°C

Please also notice detailed product information DENSOPLAST-Tape

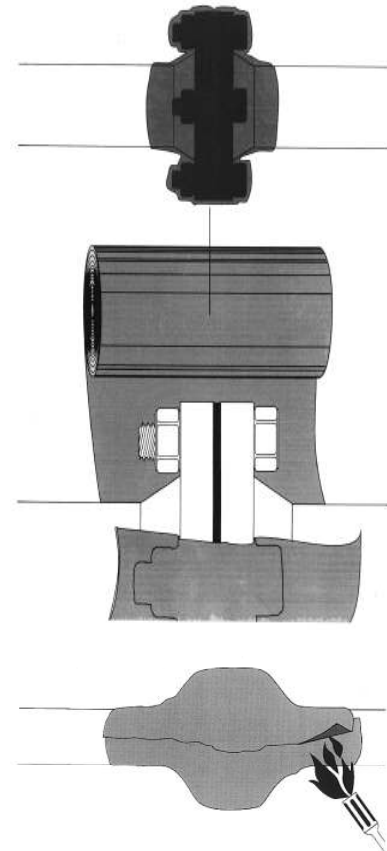
# Method of Application

**Flange coating** (exemplary, can be transferred to valves). Remove rust, dirt and humidity from flange and adjacent pipe surface. Apply DENSOPLAST-Compound by spatula to and by this fill flange gap. In the same way fill potential hollows at nuts and bolts and at fillets with DENSOPLAST-Compound. Place DENSOPLAST-Tape centric on flange pulley and mould around circumference, nuts and bolts. (for flanges > DN 400 two strips of DENSOPLAST-Tape have to be placed alternately at right and left edge of flange pulley). Repeat procedure until three layers of tape are achieved at any point. Length of tape strips should be flange circumference plus 50 mm for tape overlap. The recommended tape width depends on pipe and flange diameter: 250, 300 or 400 mm wide tape is commonly used. The pipe surface adjacent to the flange could be wrapped spirally or

circumferentially with 3 layers DENSOPLAST-Tape.



Such coated flange and adjacent pipe surface has to be additionally covered with one layer of DENSOLEN-Rockshield DRM-PP 500 Plus. To weld DENSOLEN-Rockshield in the overlap areas melting surface with torch flame and immediately press overlaps firmly together.



## Quantities Required

The required quantities given below refer to a blank flange according to DIN 2633 and can

differ slightly for other flange types. The quantities required for

the coating of the adjacent pipe section is not included.

Flange DN	Compound kg	DENSOPLAST- Tape (3 layers)			DENSOLEN-Rockshield DRM-PP 500 Plus		
		Width [mm]	lin. mtr.	m <sup>2</sup>	Width [mm]	lin. mtr.	m <sup>2</sup>
25	0,5	250	1,23	0,3	500	0,50	0,250
40	1,0	250	1,56	0,4	500	0,60	0,300
50	1,1	250	1,71	0,4	500	0,60	0,300
65	1,2	250	1,89	0,5	500	0,70	0,350
80	1,3	250	2,03	0,5	500	0,70	0,350
100	1,9	300	2,22	0,7	500	0,90	0,450
125	2,0	300	2,51	0,8	500	0,90	0,450
150	2,2	300	2,84	0,9	500	1,00	0,500
200	2,8	300	3,35	1,0	500	1,20	0,600
250	3,4	300	3,97	1,2	500	1,40	0,700
300	3,8	300	4,49	1,3	500	1,50	0,750
350	4,4	300	5,05	1,5	500	1,70	0,850
400	5,5	250	11,23	2,8	500	2,00	1,000
500	6,7	250	13,78	3,4	500	2,35	1,175
600	8,7	250	16,13	4,0	500	2,65	1,325
700	10,1	250	17,45	4,4	500	3,00	1,500
800	13,3	250	19,62	4,9	500	3,30	1,650
900	14,7	300	21,51	6,5	1000	3,65	3,650
1000	17,6	300	23,96	7,2	1000	4,00	4,000
1200	21,9	300	28,29	8,5	1000	4,65	4,650
1400	28,2	400	32,06	12,8	1000	5,40	5,400
1600	35,8	400	36,68	14,7	1000	6,15	6,150
1800	39,7	400	40,45	16,2	1000	6,75	6,750
2000	43,8	400	44,50	17,8	1000	7,40	7,400

## Packing

### DENSOPLAST-Compound

Plastics bucket containing 2 kg or 12 kg

### DENSOPLAST-Tape, rolls à 10 m packed in carton

Width [mm]	Rolls per carton	Content per carton		Weight per carton app. [kg]
		[m <sup>2</sup> ]	[lin. mtr.]	
50	24	12	240	13,2
100	12	12	120	13,2
250	4	10	40	11
300	4	12	40	13,2
400	4	16	40	17,5

### DENSOLEN-Rockshield DRM-PP 500 Plus

Supplied as 500 or 1000 mm wide rolls, length 50 m, cuts upon request

## DENSO GmbH

P. O. Box 150120 • 51344 Leverkusen • Germany  
tel: +49-(0)214-2602-0 • fax: +49-(0)214-2602-318  
Internet: www.denso.de • E-Mail: info@denso.de

Values and properties shown in diagrams and tables are not subject to any guarantees. Our warranty is limited to the values and properties as required by the relevant standards. Our literature,

data sheets and recommendations represent our knowledge at the time of printing but are in no way legally binding on us.  
No 02 issue: 03/08